

# GIOVA/GERMANA

## FLOODLIGHT

Rectangular floodlight with no visible screws made of shockproof resin material, UV-rays stabilized, rust and corrosion-free. Suitable for wall and ground installation. Provided complete with a fully adjustable bracket to direct the light emission. Supplied with TÜV-CB certified, long-life, efficient and **Kelvin settable GX53 LED lamps included** or provided with **E27** lampholder. Motion sensor version available. Insulation class II, Protection rating IP66.



*Proiettore rettangolare senza viti a vista, fabbricato in resina antiurto stabilizzata ai raggi UV, inattaccabile da ruggine e corrosione. Idoneo per installazioni a parete e al suolo. Fornito completo di braccio che permette l'orientamento del proiettore in qualsiasi posizione. Provvisto di lampadine a LED GX53 con Kelvin impostabile certificate TÜV-CB di lunga durata ed elevata efficienza o disponibile nella versione E27. Disponibile anche con sensore di movimento. Classe di isolamento II, grado di protezione IP66.*



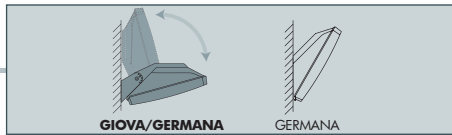
2N1.702.C2K

**CCT SETTABLE**

SDCM < 6

3000 K 4000 K 6500 K



**GIOVA/GERMANA - COMPONENTS**

IP66



**COVER** with no visible screws, made of shockproof resin material, UV-rays stabilized.

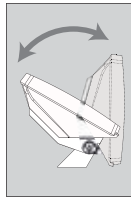
**COVER** senza viti a vista in resina antiurto stabilizzata ai raggi UV.

**DIFFUSER** made of UV-rays stabilized polymethylmethacrylate (PMMA) screwed to the floodlight body.

**DIFFUSORE** realizzato in polimetilmetacrilato (PMMA) stabilizzato ai raggi UV da avvitare al corpo del proiettore.

**BODY** made of shockproof resin material, UV-rays stabilized, provided with silicone rubber gasket to ensure high protection against external agents.

**CORPO** realizzato in resina antiurto, stabilizzata ai raggi UV, completa di guarnizione in gomma siliconica per garantire un alto livello di protezione contro gli agenti esterni.



**BRACKET** made of shockproof resin material, UV-rays stabilized, to allow a fully adjustable position of the floodlight.

**BRACCIO** realizzato in resina antiurto, stabilizzato ai raggi UV, che permette l'orientamento in qualsiasi posizione del proiettore

**GIOVA/GERMANA**



**Dimensions and weight**

Height: 280 mm  
Width: 180 mm  
Weight: 1,6 Kg

**Moulded Colours:**

Black  Grey  White

**Diffuser PMMA:**

Opal

**2x GX53 LED**

FULLY PRE-WIRED



Floodlight supplied **fully pre-wired** complete with 2x TÜV-CB certified, long-life, efficient and **Kelvin settable GX53 LED lamps included**. Different wattages available. Quick and easy lamp replacement for a very simple maintenance after installation.

		100 - 240 V		*ADD. SUFFIX
	2x 3W <b>6W</b>	700 Lm	6500 K	.G2K
			4000 K	
			3000 K	
	2x 7W <b>14W</b>	1600 Lm	6500 K	.C2K
			4000 K	
			3000 K	
	2x 10W <b>20W</b>	2400 Lm	6500 K	.D2K
			4000 K	
			3000 K	

2x 10W = 50W  
2.400 Lm SON-HQI

**SAVE 60%**

**E27**

FULLY PRE-WIRED



Floodlight supplied **fully pre-wired** with white resin reflective ceiling designed to grant lampholder protection and isolation. Safe fixation of the electrical devices on the plate rear side. *Daylight and motion sensor* available as an option. Sensor operating voltage: 220-240V (120V available on demand).

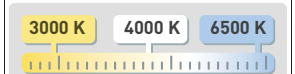
<b>E27</b> (CFL -LED)	max 160 mm	.P27
<b>E27 + Sensor</b> (CFL -LED)	max 160 mm	.PS7

**LED LAMPS**



Technical details on page 552.

**CCT SETTABLE LED LAMP**



CCT switch settable in three different positions, to select the desired Kelvin temperature (3000K/4000K/6500K) and get a customized ambience.

\* ADD THESE SUFFIXES TO THE REFERENCES MENTIONED IN THE CATALOGUE



**GIOVA/GERMANA**

FLOODLIGHT

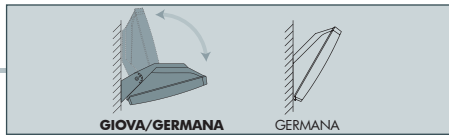


2N1.702.D2K



2N1.702.D2K

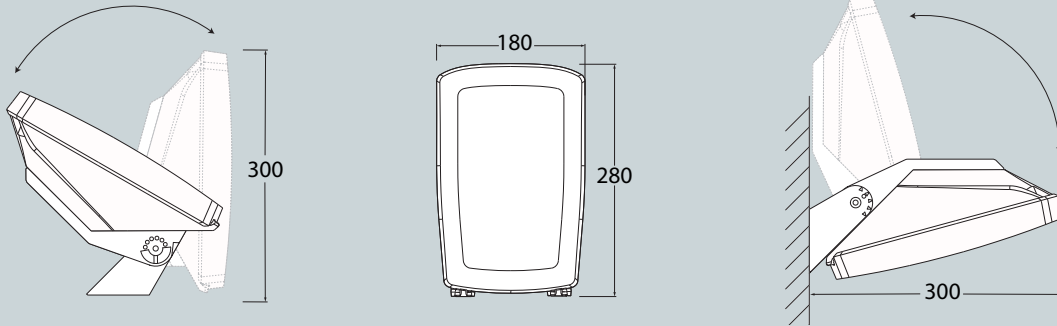




**GIOVA/GERMANA GX53**

<b>6W</b>	2N1.702.G2K
<b>14W</b>	2N1.702.C2K
<b>20W</b>	2N1.702.D2K

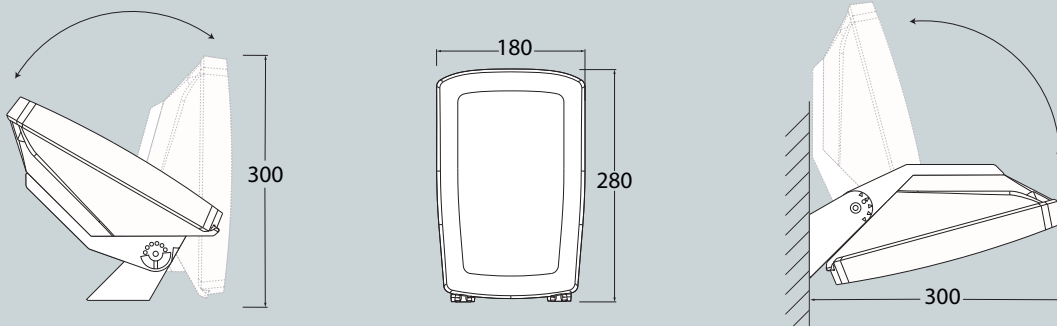
2 CCT SETTABLE GX53 LED LAMPS INCLUDED  
3000K/4000K/6500K



Pcs 18  
Kg 29,8  
mc 0,198

**GIOVA/GERMANA E27**

<b>E27 lampholder</b>	2N1.702.P27
<b>E27 with sensor</b>	2N1.702.PS7



Pcs 18  
Kg 21,7  
mc 0,198